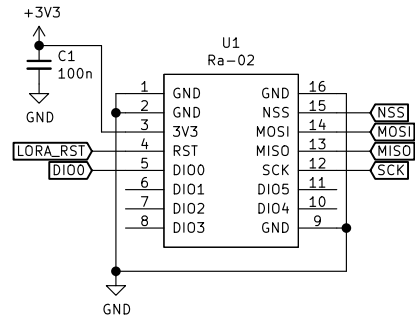
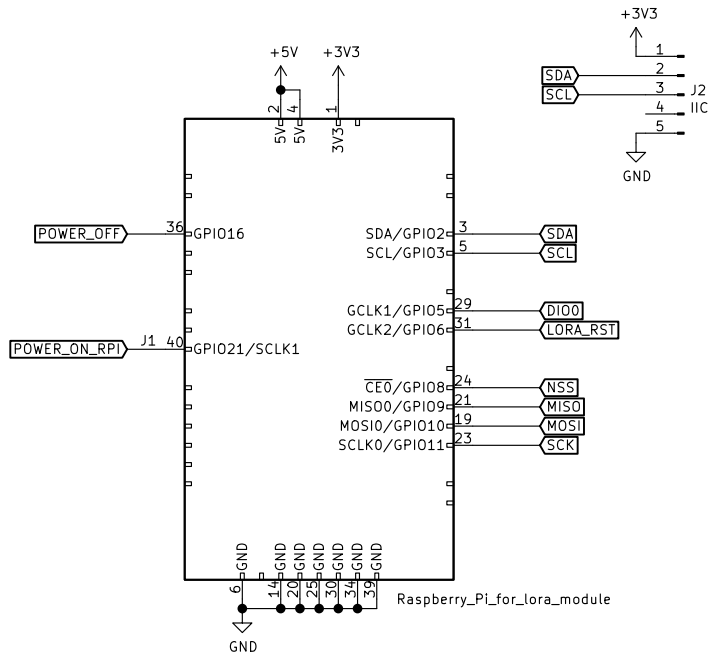


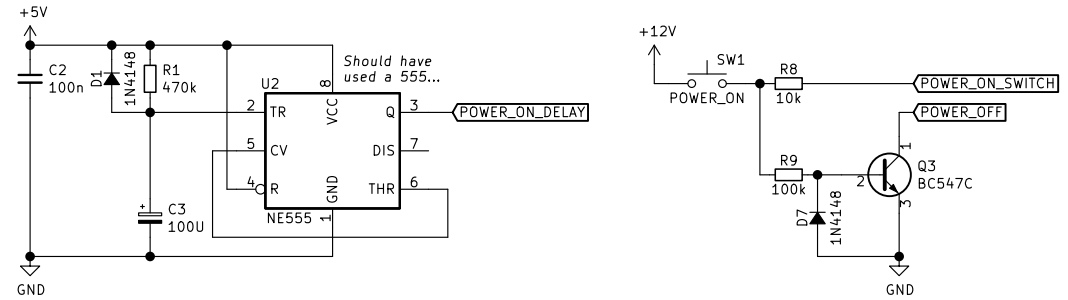
433MHz LORA transceiver



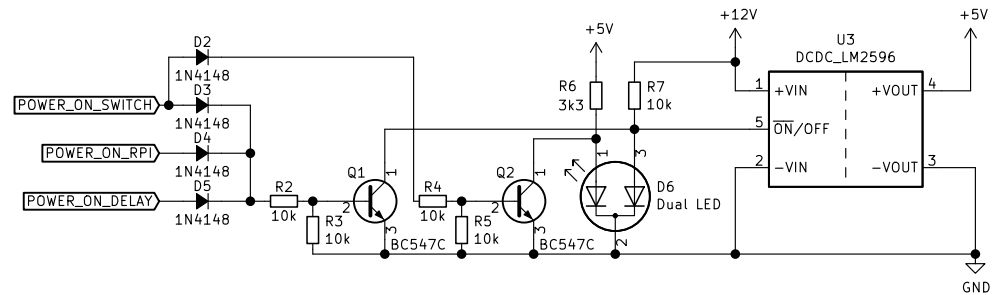
Raspberry Pi Zero 2 W



Power switch and delay (15 seconds)



Power supply



- H1
M3
- H2
M3
- H3
M3
- H4
M3

MEES

<https://meezenest.nl/mees>

M. Konstapel

Sheet: /

File: RPi_LoRa_shield.sch

Title: LORA APRS shield

Size: A4 | Date: 2022-01-20

KiCad E.D.A. kicad 5.1.8-5.1.8

Rev: 1

Id: 1/1

