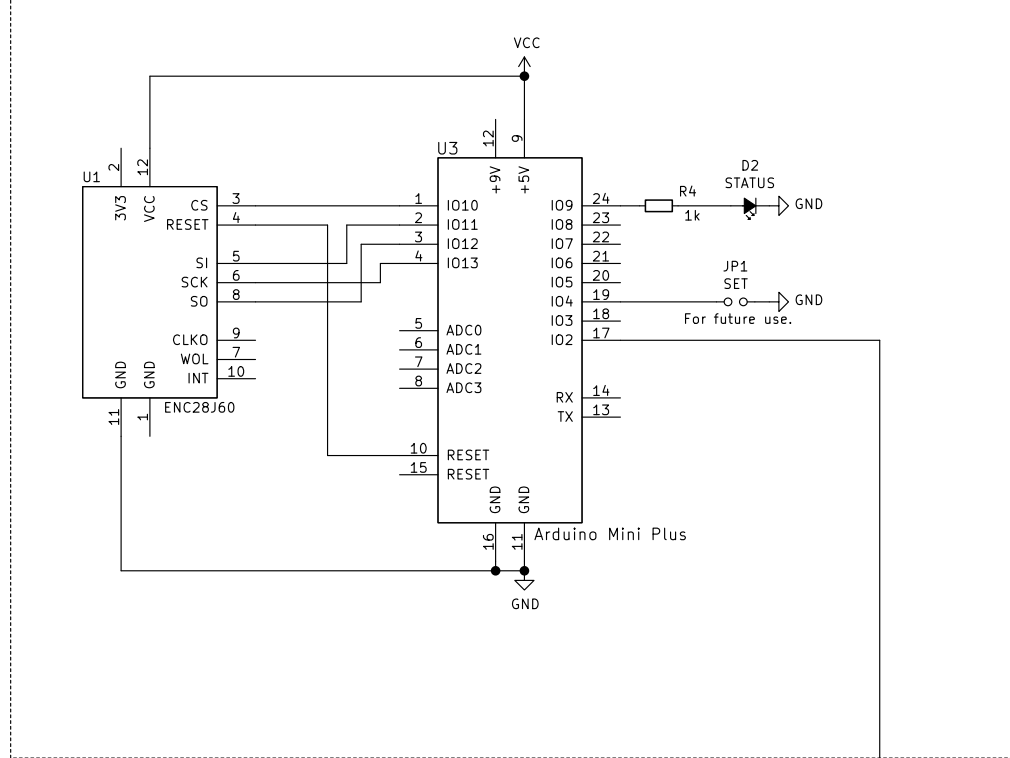
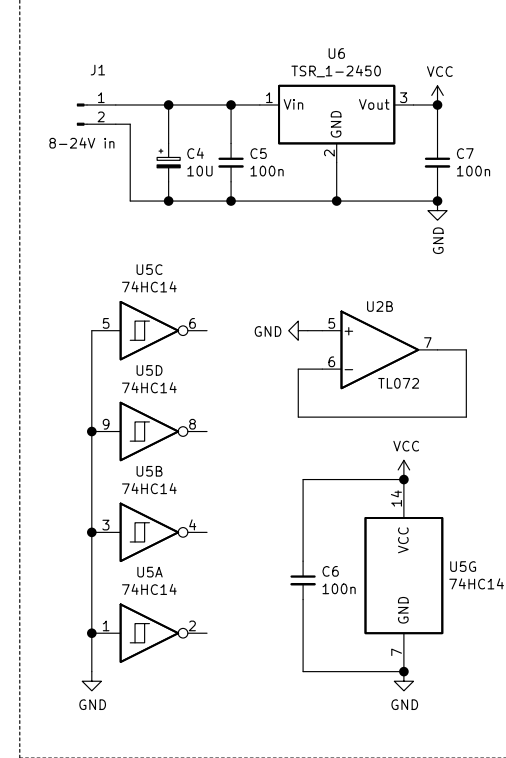


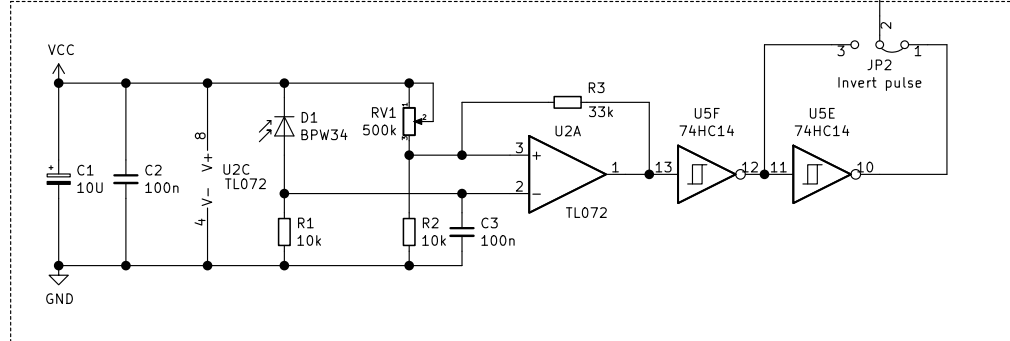
Microcontroller and ethernet



Power supply and unused parts



Pulse detector



- H1 MountingHole
- H2 MountingHole
- H3 MountingHole
- H4 MountingHole

Mees Electronics  
 meezenest.nl/mees  
**M. Konstapel**  
 Sheet: /  
 File: MQTT\_energy\_meter.sch

**Title: MQTT ethernet energy meter**

Size: A4	Date: 2023-01-02	Rev: 1
KiCad E.D.A. eschema 5.1.8-5.1.8	Id: 1/1	

