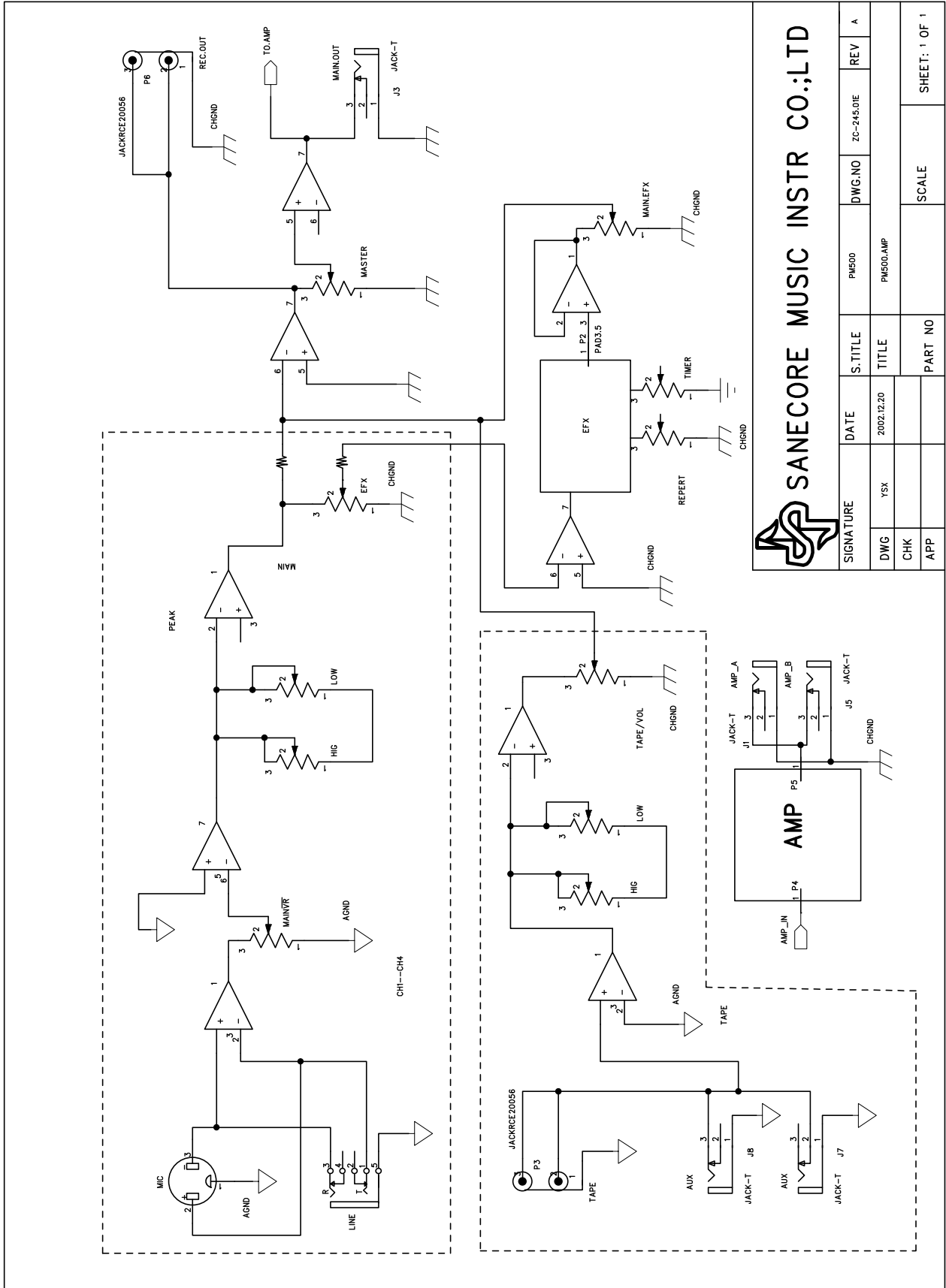


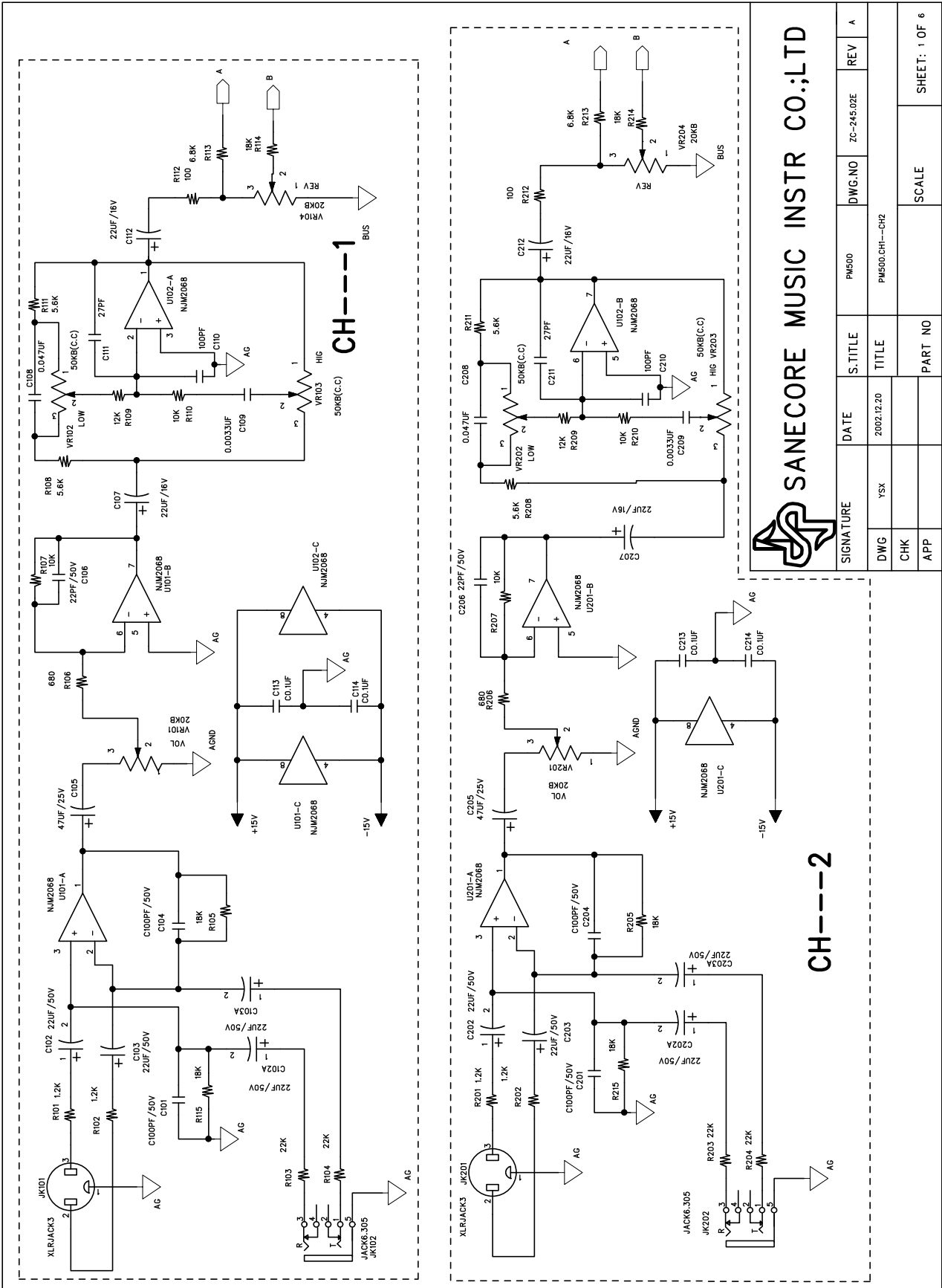
# 5. SCHEMATIC DIAGRAM



		DATE	PM500	DWG.NO	ZC-245.01E	REV	A
		SIGNATURE	YSX	TITLE	PM500.AMP	PART NO	SCALE
DWG	CHK	APP					SHEET: 1 OF 1

**PM-500**

# 5. SCHEMATIC DIAGRAM



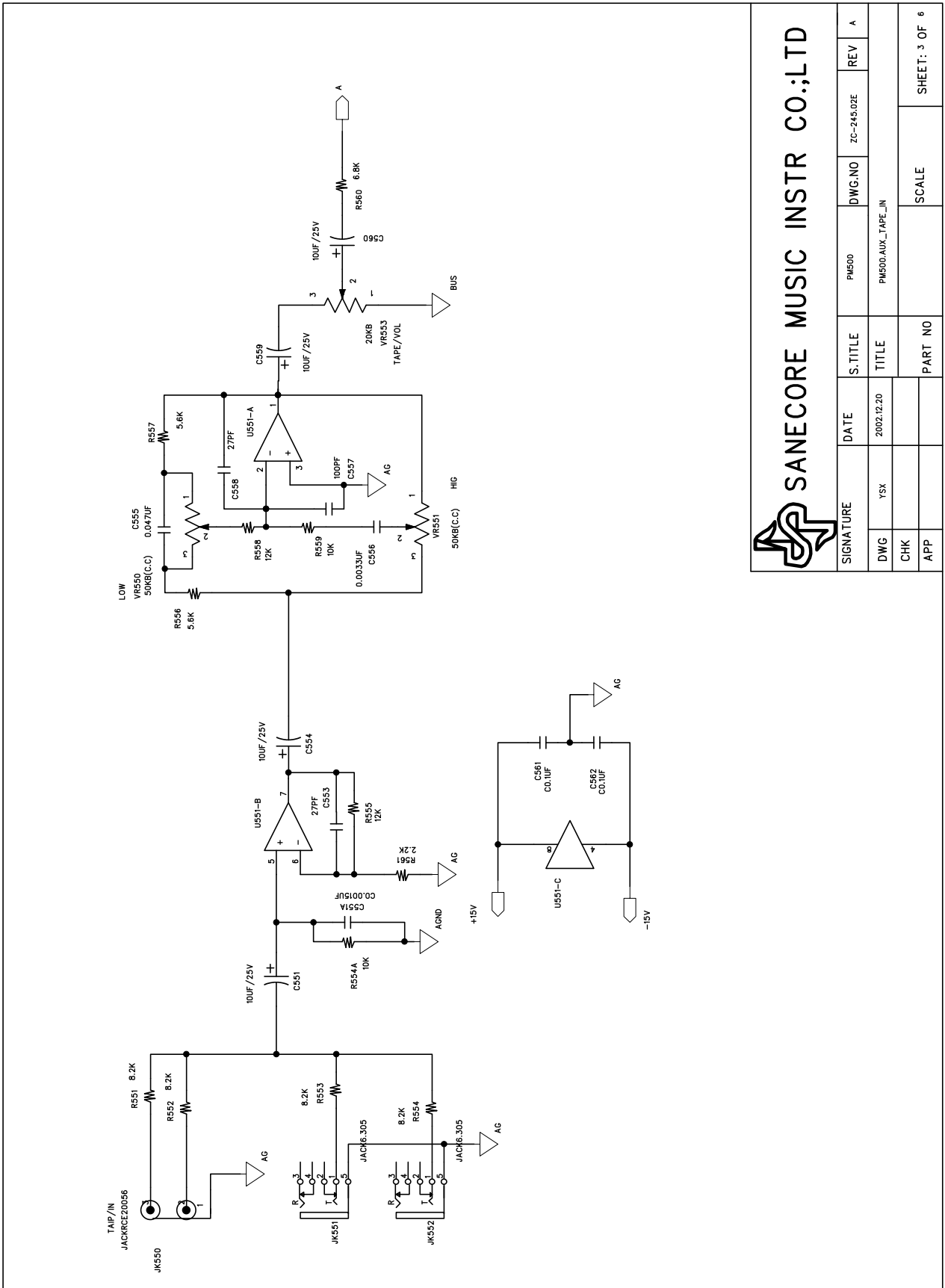
**SANECORE MUSIC INSTR CO.,LTD**

SIGNATURE	DATE	S.TITLE	PM500	DWG.NO	REV	A
	2002.12.20	TITLE	PM500.CH1-CH2			
DWG	YSX					
CHK						
APP						
		PART NO		SCALE		SHEET: 1 OF 6

**PM-500**



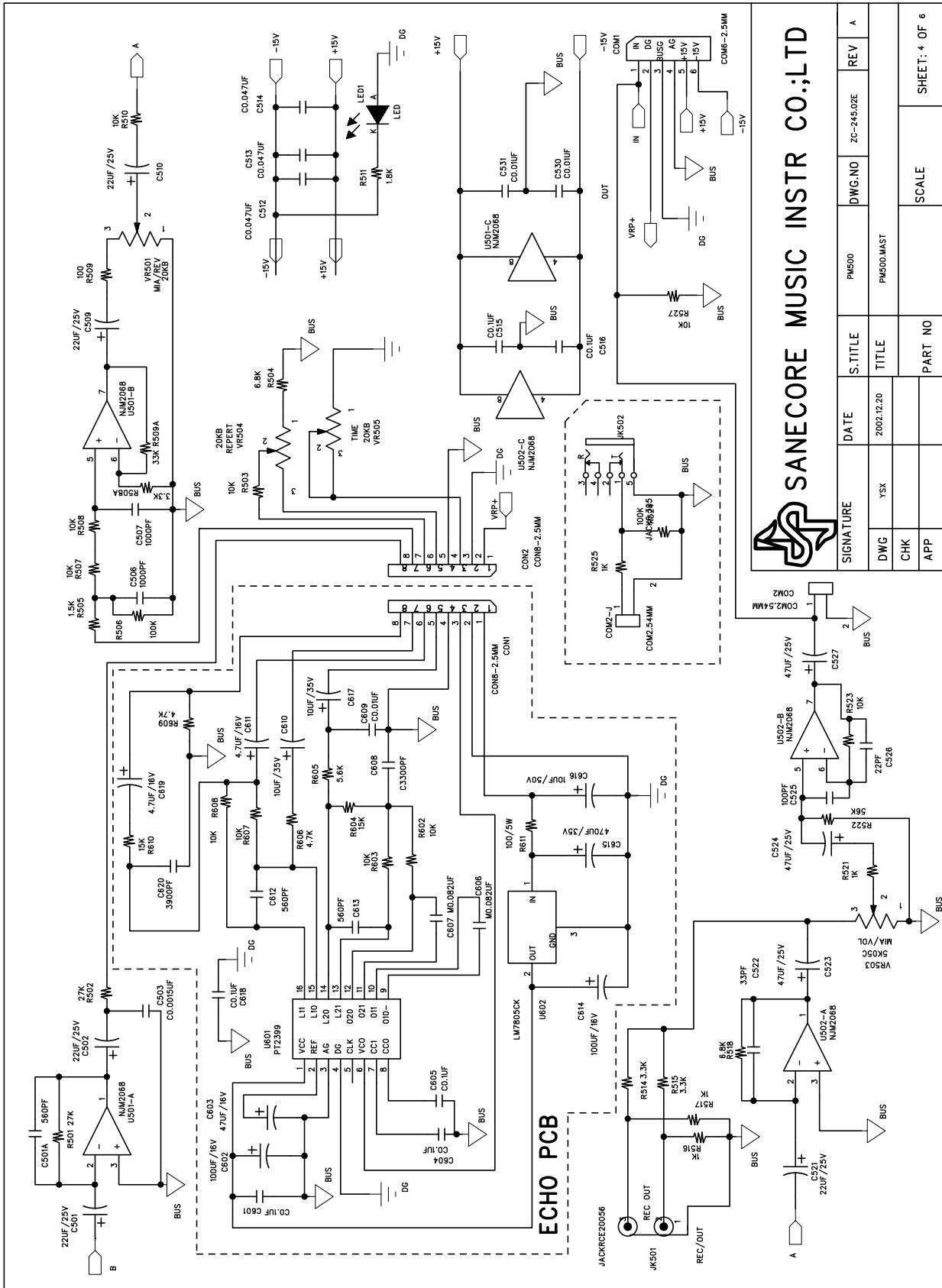
# 5.SCHEMATIC DIAGRAM



		DATE	PM500	DWG.NO	REV
		2002.12.20	PM500.AUX_TAPE_IN	ZC-245.02E	A
SIGNATURE	S.TITLE	TITLE	PART NO	SCALE	SHEET: 3 OF 6
DWG	YSX				
CHK					
APP					

**PM-500**

# 5. SCHEMATIC DIAGRAM



SIGNATURE		DATE	S.TITLE	DWG.NO	DWG.NO	REV	A
DWG		YSX	2002.12.20	PM500	ZC-245.02E	PM500.MAST	
CHK							
APP							
PART NO		SCALE		SHEET: 4 OF 6			

**PM-500**

