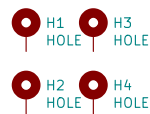
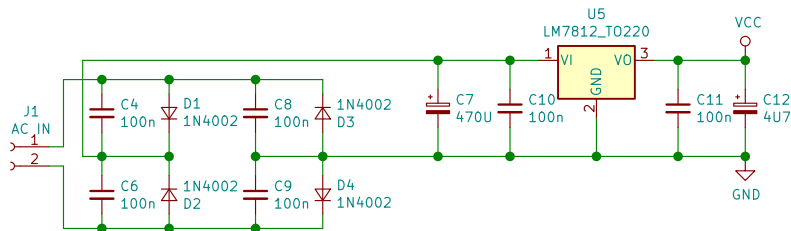
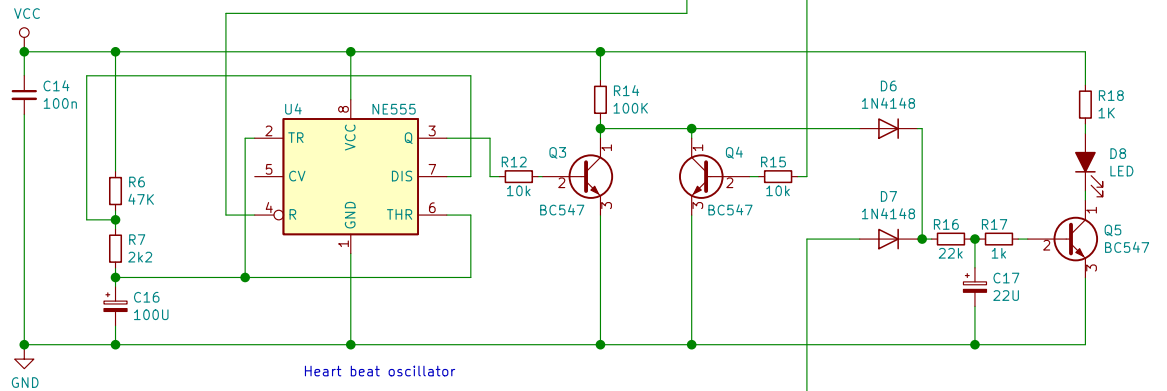
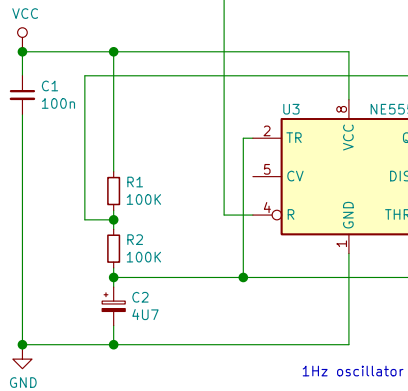


Approximate 15 seconds after power on IC1 switches on and allows the output relay of the pre-amplifier to be turned on by SW1. During the 15 seconds delay IC3 blinks the LED on and off (1Hz 50% on). After the delay, IC4 blinks the LED on and off (3Hz 10% on). When SW1 is pushed, the output relay switches on and the LED stays on. When SW1 is pushed again, the output relay switches off and the LED starts to blink again (3Hz 10% on). C9 smoothes the LED, so it looks like an old fashioned light bulb.



M.T. Konstapel

Sheet: /
File: preamp_delay.sch

Title: Power on delay for pre-amplifier

Size: A4 Date: 12 juni 2019
KiCad E.D.A. kicad 5.1.2-5.1.2

Rev: 1
Id: 1/1