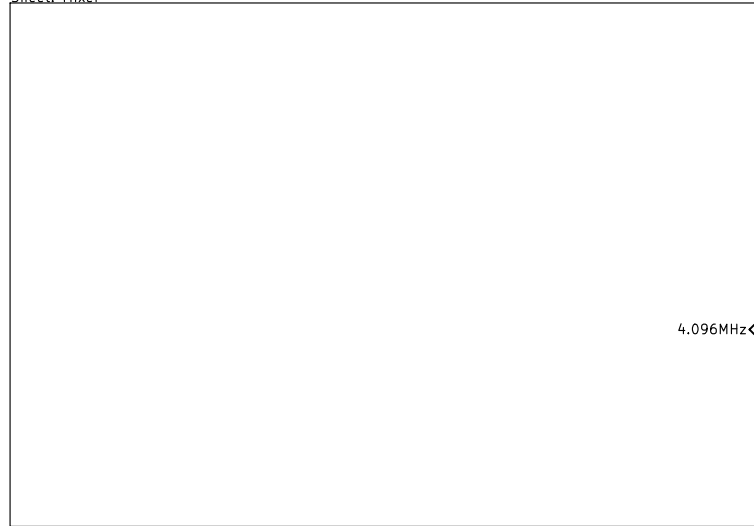
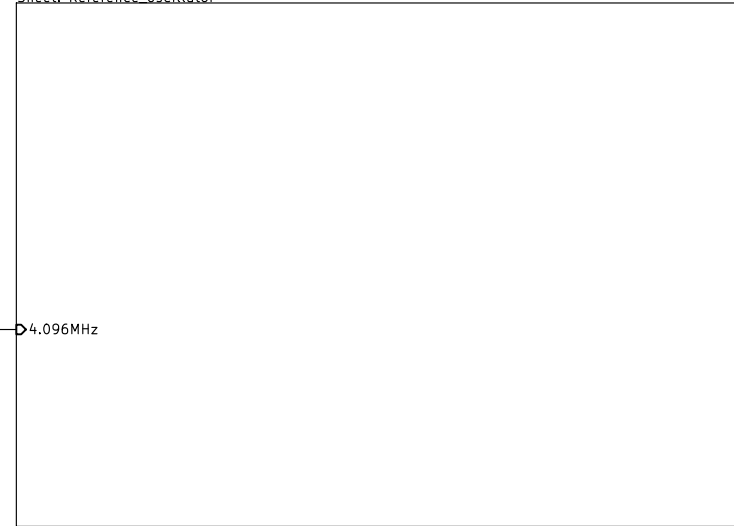


Sheet: Mixer



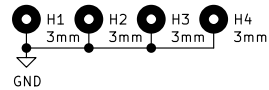
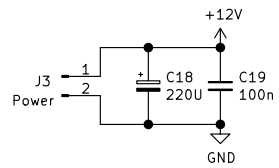
File: mixer.sch

Sheet: Reference oscillator



File: reference_oscillator.sch

4.096MHz



MEES

M.T. Konstapel
Mees Electronics

Sheet: /
File: mixer_and_reference_oscillator.sch

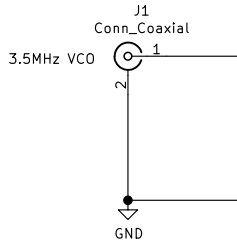
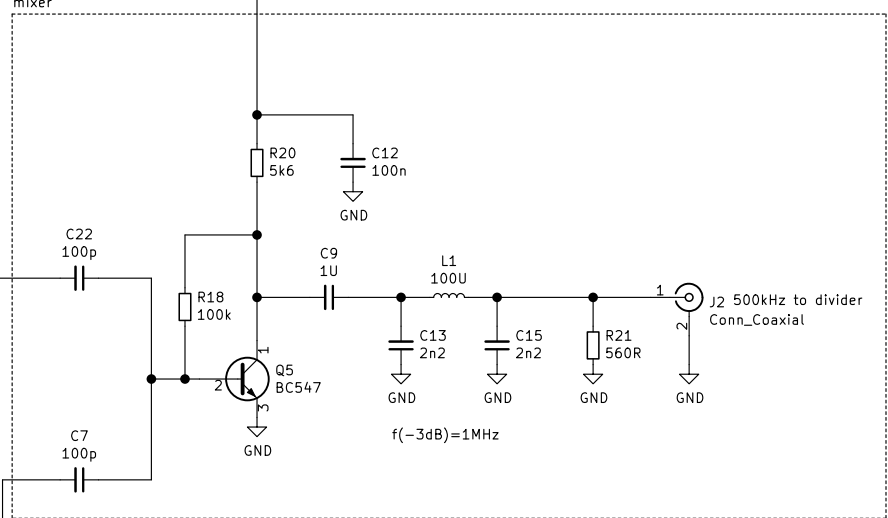
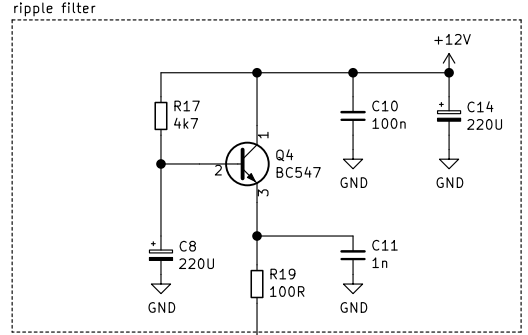
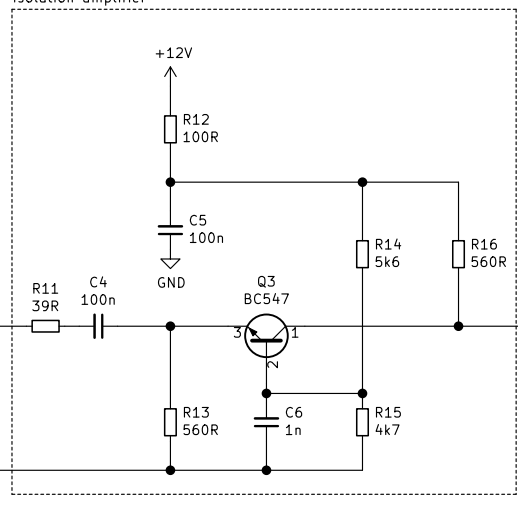
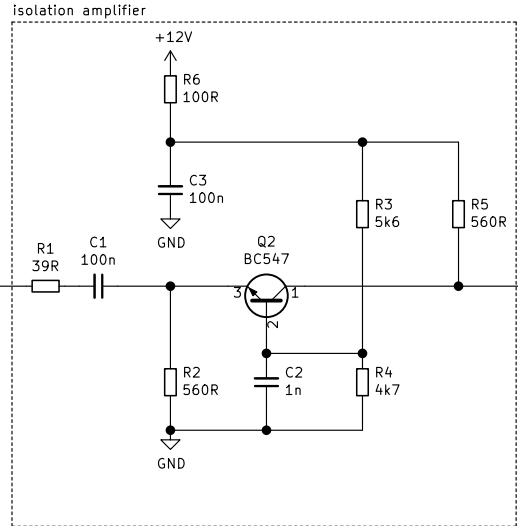
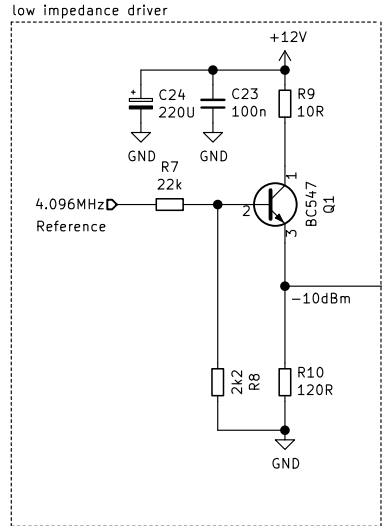
Title: Mixer and reference oscillator

Size: A4 Date: 2021-06-15

Rev: A

KiCad E.D.A. kicad 5.1.8-5.1.8

Id: 1/3

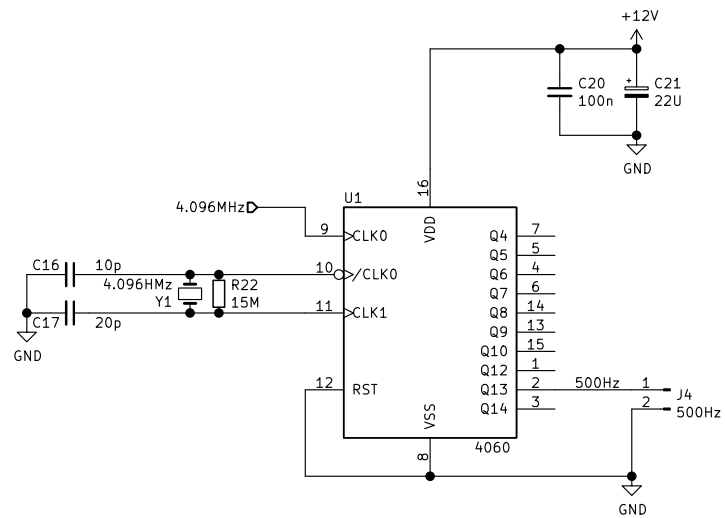


MEES

M.T. Konstapel
Mees Electronics
 Sheet: /Mixer/
 File: mixer.sch

Title: Mixer

Size: A4	Date: 2021-06-15	Rev: A
KiCad E.D.A. kicad 5.1.8-5.1.8	Id: 2/3	



MEES

M.T. Konstapel
Mees Electronics

Sheet: /Reference_oscillator/
 File: reference_oscillator.sch

Title: Reference oscillator

Size: A4 Date: 2021-06-15

KiCad E.D.A. kicad 5.1.8-5.1.8

Rev: A

Id: 3/3