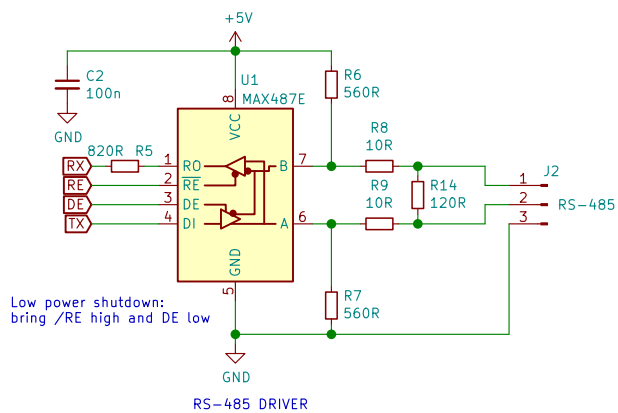
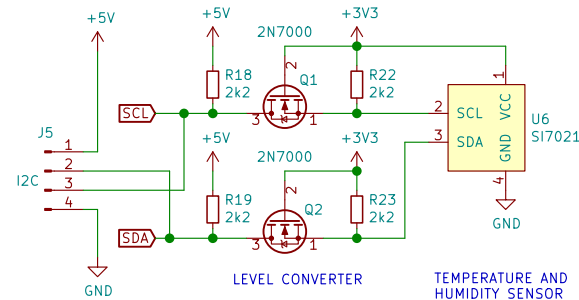


For some reason the PTT of the Baofeng UV-5RE radio goes below zero when released. A normal transistor as PTT switch does not work properly. Therefore an optocoupler is used.



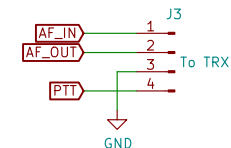
Low power shutdown:
bring /RE high and DE low

RS-485 DRIVER

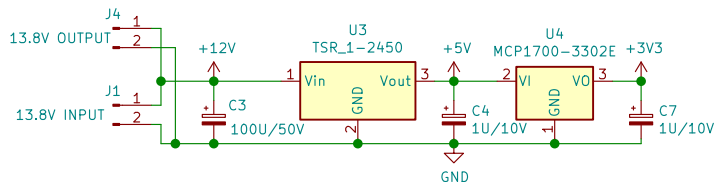


LEVEL CONVERTER

TEMPERATURE AND HUMIDITY SENSOR



- H1 MountingHole
- H2 MountingHole
- H3 MountingHole
- H4 MountingHole



M.T. Konstapel

Sheet: /
File: aprs_module.sch

Title: APRS data acquisition module

Size: A4 Date: 2020-03-31

KiCad E.D.A. kicad 5.1.2-5.1.2

Rev: A

Id: 1/1