

SONODYNE INTERNATIONAL LIMITED

PROCESS SHEET

Set Type :- BDIGI35C
 Set Description :- DIGI-35 (CONRAD)

Run Date :- 21-10-1987
 Page No :- 1

 ITEM CODE<----- ITEM DESCRIPTION -----> I.U.O.M.: QUANTITY <----- REMARKS

Sub-assembly Code :- 01 Desc. :- PCB ASSEMBLY
 Stage Code :- 01

2111450470	RESISTOR 3W, W/W, 5%, 0.47E	PC	2.0000
2111450100	RESISTOR 5W, W/W, 5%, 0.1 E	PC	1.0000
2111450390	W.W.RESISTER 0.39E 5W	PC	1.0000
2111510222	RESISTOR 1W, CFR, 5%, 2K2	PC	1.0000
2111000470	RESISTOR PACK 47K, 9 PIN	PC	1.0000
2121210101	ELEC.CAP. 100MFD, 16V	PC	2.0000
2121230471	ELEC.CAP. 470MFD, 35V	PC	1.0000
2121250221	ELEC.CAP. 220 MFD/ 50V	PC	2.0000
2122250017	CER.DISC CAP. 1 KPF, 50V	PC	1.0000
2122250018	CER.DISC CAP. 10 KPF, 50V	PC	4.0000
2122250019	CER.DISC CAP. 100KPF, 50V	PC	16.0000
2122250105	CERAMIC CAP. 100PF/50V.	PC	1.0000
2122250226	CERAMIC CAP. 22PF/50V.	PC	2.0000
2122250227	CERAMIC CAP. 22KPF/50V	PC	1.0000
2122250475	CERAMIC CAP. 47KPF/50V	PC	1.0000
2123010010	TANTALUM CAP. 10MF/16V	PC	2.0000
2123010047	TANTALUM CAP. 47MF/16V	PC	2.0000
2133440002	RECTIFIER DIODE 1N4002	PC	6.0000
2133440140	DIODE RECTIFIER 1N4140	PC	4.0000
2133450402	DIODE 1N5402	PC	4.0000
2136090719	DIODE ZENER 1/2W, 9.1V	PC	2.0000
2137200005	LED 5mm Ø1A (RED)	PC	1.0000
2141400137	TRANSISTOR BD137 (NPN)	PC	1.0000
2141400130	TRANSISTOR BD130 (PNP)	PC	1.0000
2141400546	TRANSISTOR BC 546B	PC	1.0000
2141400547	TRANSISTOR BC 547C	PC	4.0000
2141400557	TRANSISTOR BC557C (PNP)	PC	1.0000
2150000273	I.C. SN 74LS273N (20 PIN)	PC	2.0000
2151200336	LM336 REF IC (2.5V) TO-92	PC	1.0000
2151370005	I.C. REGULATOR 7805 TO-220	PC	1.0000
2151370009	I.C. REGULATOR 7809 TO-220	PC	1.0000
2151370912	I.C. REGULATOR 7912 TO-220	PC	1.0000
2152010450	I.C. DUAL OPAMP 1450 DIP 8 PIN (HA17450)	PC	2.0000
2154920056	I.C. 412056P (40 PIN) MICRO PROCESSOR	PC	1.0000
2156600600	I.C. DAC0800CN (16 PIN)	PC	2.0000
2159440066	I.C. CD 4066BCN (14 PIN) MULTIPLEXER	PC	1.0000
2171250476	CRYSTAL 2.5476 MHZ	PC	1.0000
2170500030	BUZZER 5V	PC	1.0000
2520120010	RELAY 12V DC	PC	2.0000
9111190392	RESISTOR 1/2W, MFR, 5%, 3K9	PC	1.0000
9111300101	RESISTOR 1/4W S.F.R. 5% 100 OHMS	PC	6.0000
9111300102	RESISTOR 1/4W S.F.R. 5% 1K OHMS	PC	4.0000
9111300103	RESISTOR 1/4W, SFR, 5%, 10K	PC	2.0000
9111300104	RESISTOR 1/4W S.F.R. 5% 100K	PC	2.0000
9111300105	RESISTOR 1/4W, SFR, 5%, 1M	PC	1.0000
9111300106	RESISTOR 1/4W, SFR, 5%, 10M	PC	1.0000
9111300223	RESISTOR 1/4W S.F.R. 5% 2K2 OHMS	PC	1.0000
9111300227	RESISTOR M.F.R. 1/4W, 1%, 20K	PC	2.0000
9111300305	RESISTOR 1/4W, SFR, 5%, 3M	PC	1.0000
9111300332	RESISTOR 1/4W S.F.R. 5% 3K2	PC	4.0000
9111300333	RESISTOR 1/4W S.F.R. 5% 33K	PC	1.0000
9111300392	RESISTOR 1/4W S.F.R. 5% 3K9	PC	1.0000
9111300471	RESISTOR 1/4W S.F.R. 5% 470E	PC	1.0000

SONODYNE INTERNATIONAL LIMITED

PROCESS SHEET

Set Type :- BDIGI35C
 Set Description :- DIGI-35 (CONRAD)

Run Date :- 21-10-1997
 Page No :- 2

 ITEM CODE(-----) ITEM DESCRIPTION (-----): U.O.M. QUANTITY (-----) REMARKS (-----)

Sub-assembly Code :- 01 Description :- PCB ASSEMBLY (Contd.)
 Stage Code :- 01

9111388473	RESISTOR 1/4W, 5FR, 5%, 47K	PC	1.0000
9111388561	RESISTOR 1/4W S.F.R. 5% 560E	PC	1.0000
9111388681	RESISTOR 1/4W S.F.R. 5% 680E	PC	1.0000
9111780104	RESISTOR 1/4W, MFR, 1%, 100K	PC	9.0000
9111780163	RESISTOR 1/4W, MFR, 1%, 16K	PC	1.0000
9111780333	RESISTOR 1/4W, MFR, 1%, 33K	PC	1.0000
9111780392	RESISTOR 1/4W, MFR, 1%, 39K	PC	1.0000
9111780393	RESISTOR 1/4W, MFR, 1%, 39K	PC	2.0000
9112720102	PRESET 1% VER 1K PLASTIC DUST PROOF COVER	PC	1.0000
9112720203	PRESET 1% VER. 20K PLASTIC DUST PROOF COVER	PC	1.0000
9112720475	PRESET 1% VER. 4M7 PLASTIC DUST PROOF COVER	PC	1.0000
9112720502	PRESET 1% VER. 5K PLASTIC DUST PROOF COVER	PC	1.0000
9125100016	PAPER CAPACITOR 0.1 KPF/100V	PC	2.0000
9172500035	PCB DIGI-35 CPU (PTH) (15.64x10.5cm)	PC	1.0000

Sub-assembly Code :- 02 Desc. :- PCB TO CHASSIS FITTING
 Stage Code :- 01

2311220306	SCREW YELLOW PTD. M3 x 6 S/T	PC	8.0000
9342000001	PLASTIC CLAMP B16(S/M)	PC	2.0000

Sub-assembly Code :- 03 Desc. :- H/S ASSEMBLY
 Stage Code :- 01

2112800501	THERMISTOR (500 OHMS) NS2822A050150-UPPERMOST	PC	1.0000
2141120501	M30501 TRANSISTOR TO-3	PC	2.0000
2312320318	SCREW NICKEL PTD. M3 x 18 PH	PC	4.0000
2321000003	NUT HEX. YELLOW ZINC M3	PC	6.0000
2331200003	SPRING WASHER YELLOW ZINC M3	PC	4.0000
2332110700	FLAT WASHER NICKEL PTD. M3 x 8 x 0.8	PC	8.0000
9000000032	HEAT SINK ANODISING 303A,303A,3030,SP340,SP430	PC	1.0000
9340700003	TO - 3 INSULATING BASE	PC	4.0000
9340400003	MICA WASHER TO - 3	PC	2.0000
9372420531	HEAT SINK SEC-2931	KB	0.4100
9554000006	BRASS TAG 60A	PC	2.0000

Sub-assembly Code :- 04 Desc. :- H/S TO CHASSIS FITTING
 Stage Code :- 01

2316320310	SCREW BLK OXIDISED M3 x 10 PH	PC	1.0000
2335720003	STAR WASHER BLACK EXTERNAL M3	PC	4.0000

Sub-assembly Code :- 05 Desc. :- H/S COVER/JALI FITTING
 Stage Code :- 01

2316420306	SCREW M3 x 6 OTIGHT BLACK OXIDISED PH	PC	2.0000
2335320003	STAR WASHER BLACK EXTERNAL M3	PC	2.0000
9356230100	H/S COVER BLACK 100mm	PC	1.0000

Sub-assembly Code :- 06 Desc. :- TRANSFORMER ASSEMBLY
 Stage Code :- 01

2191100129	ENAMELLED COPPER WIRE 1.20, 10#	KB	0.1900
------------	---------------------------------	----	--------

SONODYNE INTERNATIONAL LIMITED

PROCESS SHEET

Set Type :- BDIGI35C
 Set Description :- DIGI-35 (CONRAD)

Run Date :- 21-10-1997
 Page No :- 3

 ITEM CODE: <----- ITEM DESCRIPTION -----> | P.O.N. | QUANTITY | <----- REMARKS -----> |

Sub-assembly Code :- 06 Description :- TRANSFORMER ASSEMBLY (Contd.)
 Stage Code :- 01

2191230069 ENAMELLED COPPER WIRE 0.60, 23#	KG	0.3000
2191270049 ENAMELLED COPPER WIRE 0.40, 27#	KG	0.0300
2191320278 ENAMELLED COPPER WIRE 0.27, 32#	KG	0.0400
2311320455 M4x55 SCREW P/H YELLOW	PC	4.0000
2321000004 NUT HEX. YELLOW ZINC M4	PC	4.0000
2331120412 FLAT WASHER YELLOW PTD. M4 x 12 x 1.8	PC	4.0000
2331320004 STAR WASHER YELLOW ZINC EXTERNAL M4	PC	1.0000
2341230045 BOBBIN ISB-02 96 x 45	KG	2.2000
2532000096 LAMINATION EI. 96 (500M470)	SET	1.0000
9351410096 TRANSFORMER CLAMP EI 96	PAIR	2.0000
9353160096 BACKLITE STRIP 96x16x1.6 of 2 mm	PC	5.0000
9554910006 TRANSFORMER TAGS BRASS (RIVETING)		

Sub-assembly Code :- 07 Desc. :- TRANSFORMER TO CHASSIS FITTING
 Stage Code :- 01

2311320512 SCREW YELLOW ZINC PTD. M5 x 12 PH	PC	4.0000
2321000003 NUT HEX. YELLOW ZINC M5	PC	2.0000
2321000005 NUT HEX. YELLOW ZINC M5	PC	4.0000
2331120512 M5 x 12 FLAT WASHER YELLOW PLATED	PC	2.0000
2331200005 SPRING WASHER YELLOW ZINC M5	PC	4.0000

Sub-assembly Code :- 08 Desc. :- CHASSIS SUB ASSEMBLY
 Stage Code :- 01

2000000003 BANANA JACK TERMINALS (RED)	PC	1.0000
2000000004 BANANA JACK TERMINALS (BLUE)	PC	1.0000
2000000005 BANANA JACK TERMINALS (YELLOW)	PC	1.0000
2121260010 ELCO. CAP. 1 MFD/63V	PC	2.0000
2122250010 CER. DISC CAP. 10 KPF, 50V	PC	2.0000
2137200005 LED 5mm DIA (RED)	PC	2.0000
2311320309 SCREW YELLOW ZINC PTD. M2 x 8 PH	PC	2.0000
2344100005 5 MM LED HOLDER, RT 510	PC	1.0000
2344400507 FUSE HOLDER 250V AC 6.3A (SCH)	MT	0.0300
2393000515 4.8 HEAT SHRINKABLE TUBE	MT	0.0400
2393010540 16 HEAT SHRINKABLE TUBE	PC	1.0000
2511110023 ROCKER SWITCH 6A/250V	PC	1.0000
2512120142 ROCKER SWITCH 3 POSITION MOMENTARY CHANGE OVER	PC	1.0000
2519340007 KEY PAD 3x4 MATRIX, 12 KEY, 7 PIN	PC	2.0000
2563000126 3.5 DIGIT .5" BPM/LCE PH-126	PC	1.0000
3000000037 CHASSIS FABRICATION DIB135-CPU	PC	1.0000
6000000037 CHASSIS POWDER COATING DIB135-CPU	PC	2.0000
9355690302 CLEAR ACRYLIC/POLYCARBONATE 70mm x 40mm x 0.5mm	KG	0.9610
9371010604 1 MM STEEL SHEET	PC	1.0000
9510910000 D-TYPE CONNECTOR (FEMALE) 9 PIN	PC	1.0000
9541110159 FUSE 20MM 1.5A QUICK ACTION		

Sub-assembly Code :- 09 Desc. :- EMI FILTER TO CHASSIS FITTING
 Stage Code :- 01

2316330010 SCREW BLK OXIDISED M3 x 10 PH	PC	2.0000
2344530250 EMI FILTER WITH AC SOCKET	PC	1.0000
2393000515 4.8 HEAT SHRINKABLE TUBE	MT	0.0300

SONODYNE INTERNATIONAL LIMITED

PROCESS SHEET

Set Type :- BDIGI35C
 Set Description :- DIGI-35 (CONRAD)

Run Date :- 21-10-1997
 Page No :- 4

 ITEM CODE:(----- ITEM DESCRIPTION -----): U.O.M.: QUANTITY (----- REMARKS -----):

Sub-assembly Code :- 10 Desc. :- PVC LEGS TO CHASSIS FITTING
 Stage Code :- 01

2311320320 SCREW YELLOW ZINC PTD. M3 x 20 PH	PC	4.0000
2331110310 FLAT WASHER YELLOW PTD. M3 x 10 x 0.5	PC	4.0000
9345450019 LEGS PVC 19 MM GRAY(S/M)	PC	4.0000

Sub-assembly Code :- 11 Desc. :- FILTER CAPACITOR TO CHASSIS FITTING
 Stage Code :- 01

2121200472 ELCO. CAP. 4700MFD, 50V	PC	1.0000
2311320310 SCREW YELLOW ZINC PTD. M3 x 10 PH	PC	2.0000
2331110315 FLAT WASHER YELLOW PTD. M3 x 10 x 0.5	PC	4.0000
2331200003 SPRING WASHER YELLOW ZINC M3	PC	2.0000
9352100025 CAPACITOR CLAMP (25mm)	PC	1.0000

Sub-assembly Code :- 12 Desc. :- MS SHIELD TO CHASSIS FITTING
 Stage Code :- 01

2312420306 SCREW M3 x 6 DTIGHT WHITE ZINC	PC	4.0000
2332320003 STAR WASHER WHITE ZINC EXTERNAL M3	PC	4.0000
3100000037 MS SHIELD FABRICATION DIGI-35CPU	PC	1.0000
6100000037 MS SHIELD POWDER COATING DIGI35-CPU	PC	1.0000
9371020604 0.8MM STEEL SHEET	MS	0.2500

Sub-assembly Code :- 13 Desc. :- EARTH TAG FITTING OF CHASSIS SUB ASSY.
 Stage Code :- 01

2313320310 SCREW M3 x 10 BRASS NICKEL PLATED PH	PC	1.0000
2323000003 NUT HEX. BRASS NICKEL PTD. M3	PC	2.0000
2331320003 STAR WASHER YELLOW ZINC EXTERNAL M3	PC	3.0000
2332110308 FLAT WASHER NICKEL PTD. M3 x 8 x 0.8	PC	1.0000
9554000006 BRASS TAG 60A	PC	2.0000

Sub-assembly Code :- 14 Desc. :- COVER ASSEMBLY
 Stage Code :- 01

2312420306 SCREW M3 x 6 DTIGHT WHITE ZINC	PC	9.0000
2332320003 STAR WASHER WHITE ZINC EXTERNAL M3	PC	9.0000
4000000032 COVER FABRICATION 302A,303A,303D,DIGI35-CPU	PC	1.0000
7000000032 COVER POWDER COATING 302A,303A,303D,DIGI35-CPU	PC	1.0000
9371020604 0.8MM STEEL SHEET	MS	0.7150

Sub-assembly Code :- 15 Desc. :- HOOP UP WIRES
 Stage Code :- 01

2192100200 HOOK UP WIRE 18# BLACK	MT	0.6300
2192100202 HOOK UP WIRE 18# RED	MT	0.6500
2192100203 HOOK UP WIRE 18# GRANGE	MT	0.1500
2192100209 HOOK UP WIRE 18# WHITE	MT	0.6000
2192100254 HOOK UP WIRE 18# YELLOW WITH GREEN STRIPES	MT	0.2400
2192200401 HOOK UP WIRE 20# BROWN	MT	0.4300
2192200406 HOOK UP WIRE 20# BLUE	MT	0.4600
2192240200 HOOK UP WIRE 24# BLACK	MT	1.4000
2192240201 HOOK UP WIRE 24# BROWN	MT	0.5600
2192240202 HOOK UP WIRE 24# RED	MT	1.0100

SONODYNE INTERNATIONAL LIMITED

PROCESS SHEET

Set Type :- BDIGI35C

Run Date :- 21-10-1997

Set Description :- DIGI-35 (CONRAD)

Page No :- 5

!!ITEM CODE!<----- ITEM DESCRIPTION ----->!*****
!!U.O.M.! QUANTITY !<----- REMARKS ----->!

Sub-assembly Code :- 15 Description :- HOOP UP WIRES (Contd.)

Stage Code :- 01

2192240203	HOOK UP WIRE 24# ORANGE	MT	0.7000
2192240204	HOOK UP WIRE 24# YELLOW	MT	2.0300
2192240205	HOOK UP WIRE 24# GREEN	MT	1.0300
2192240206	HOOK UP WIRE 24# BLUE	MT	1.7100
2192240209	HOOK UP WIRE 24# WHITE	MT	1.6900

Sub-assembly Code :- 16 Desc. :- PVC LEGS

Stage Code :- 01

9392020000	SLEEVE PVC 2MM BLACK	MT	0.6000
9392020200	SLEEVE PVC 2MM RED	MT	0.6000
9392030200	SLEEVE PVC 4MM BLACK	MT	0.7500

Sub-assembly Code :- 17 Desc. :- FIBRE GLASS SLEEVES

Stage Code :- 01

9391010400	SLEEVE FIBRE GLASS M1	MT	1.0000
9391020400	SLEEVE FIBRE GLASS M2	MT	1.0000
9391030400	SLEEVE FIBRE GLASS M3	MT	1.0000

Sub-assembly Code :- 18 Desc. :- PACKING MATERIAL

Stage Code :- 01

9300000035	LEAFLET DIGI-35 CPU	PC	1.0000
9301500003	PRIMARY CARTON 5 PLY 003	PC	1.0000
9302500003	SECONDARY CARTON 5 PLY 003	PC	0.2500
9303000003	TOP BOTTOM TRAY 5 PLY 003	PC	0.5000
9304010003	PLASTIC BAG 10" x 22"	PC	1.0000
9305500130	BIG L-PAD 130MM 5 PLY	PC	2.0000
9306500000	C-PAD 5 PLY	PC	1.0000

Sub-assembly Code :- 19 Desc. :- STICKER DETAILS

Stage Code :- 01

9999910000	STATUS STICKER	PC	4.0000
9999910035	TRANSFORMER STICKER DIGI35-CPU	PC	1.0000
9999900030	EARTH STICKER	PC	1.0000
9999900031	QC PASS STICKER	PC	1.0000

Sub-assembly Code :- 90 Desc. :- MISCELLANEOUS ITEMS

Stage Code :- 01

2000000001	SOLDER WIRE RESIN CORE 1MM 60/40	KG	0.0150
2000000002	SOLDER BAR 63/37	KG	0.0150
9999900032	STATUS CARD	PC	1.0000
9999900034	HEAT SINK COMPOUND	KG	0.0003
9999900035	RB THINNER	LT	0.0050
9999900036	RB FLUX	LT	0.0050
9999900037	CHEMISTICK/NYLOFLUX	KG	0.0020
9999900038	SCREW LOCK	LT	0.0003
9999900039	VARNISH N-160	KG	0.0150
9999900040	THINNER T-205	KG	0.0300
9999900041	MAXILEX PAPER 5 MIL	KG	0.0014

SONODYNE INTERNATIONAL LIMITED

PROCESS SHEET

Set Type :- BDIGI35C
 Set Description :- DIGI-35 (CONRAD)

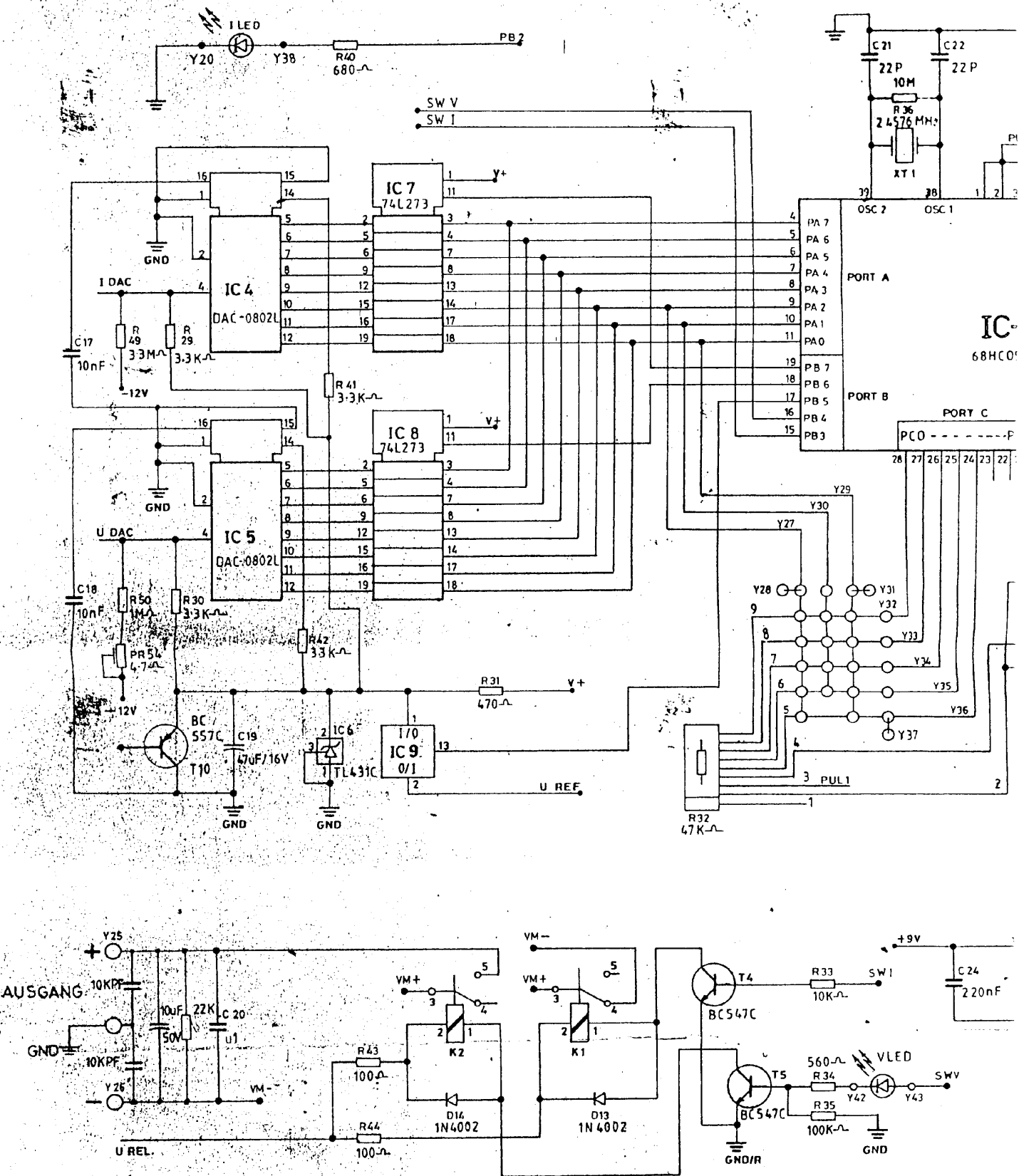
Run Date :- 21-10-1997
 Page No :- 6

 ITEM CODE:----- ITEM DESCRIPTION ----->|

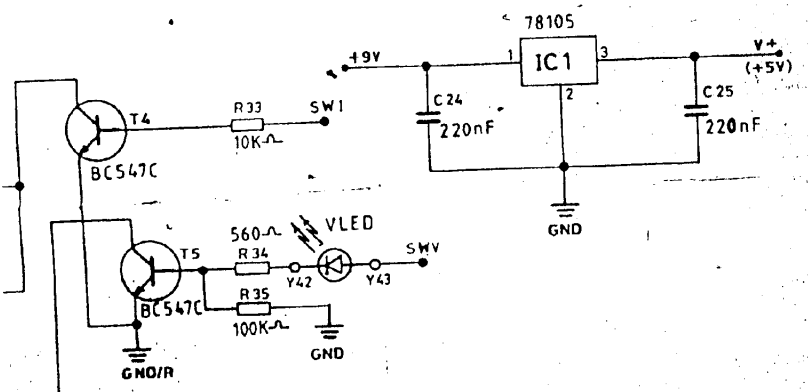
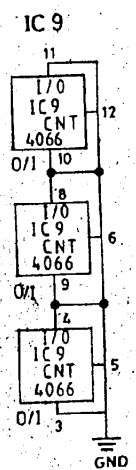
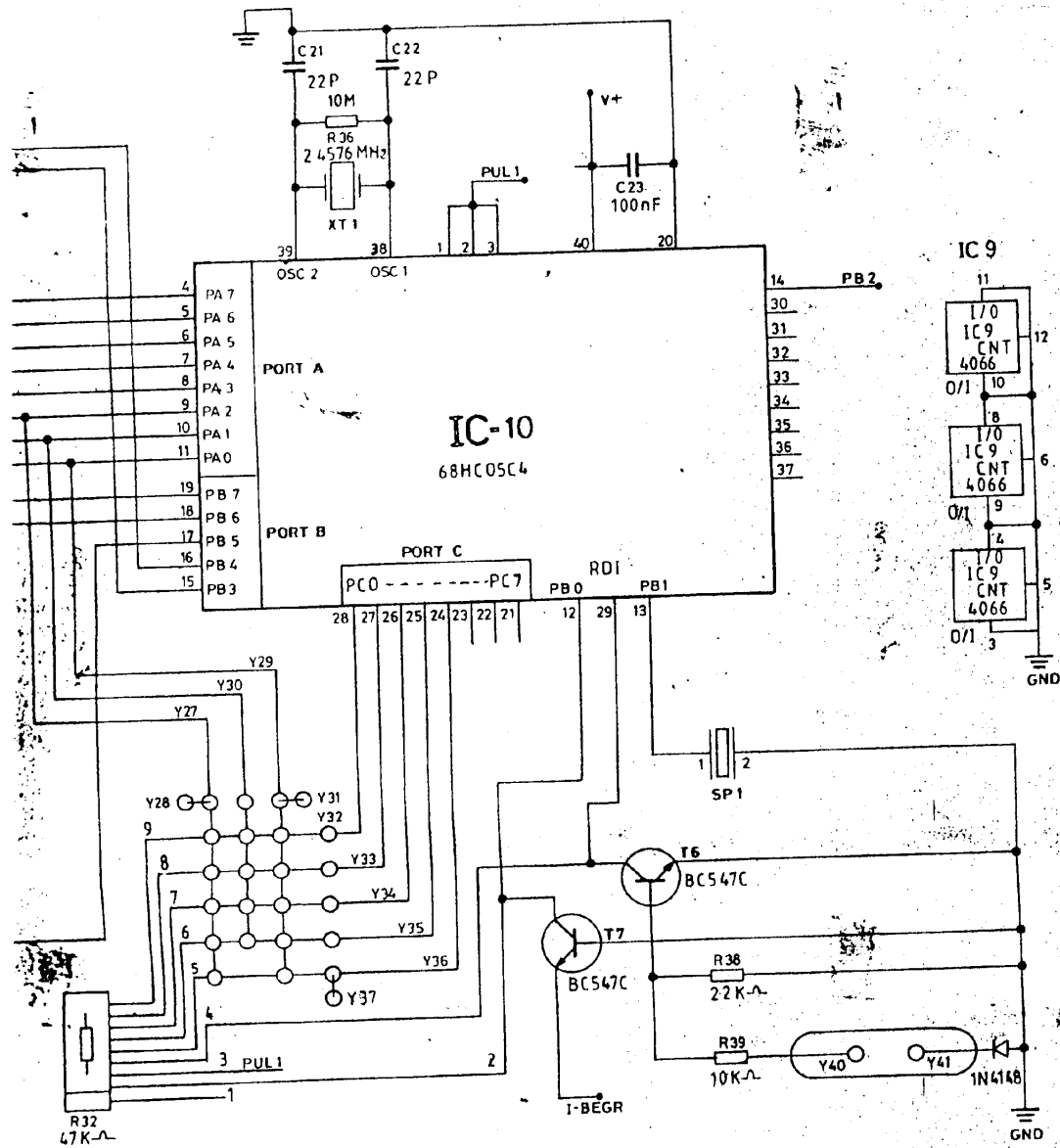
U.O.M. | QUANTITY |<----- REMARKS ----->|

Sub-assembly Code :- 90 Description :- MISCELLENEOUS ITEMS (Contd.)
 Stage Code :- 01

9999990042	MANILEX PAPER 3 MIL	KG	0.0000
9999990043	YELLOW/BLUE POLY TAPE 1/2"	MT	1.7000
9999990044	YELLOW/BLUE POLY TAPE 3/4"	MT	0.2100
9999990045	2" PVC PACKING TAPE	ROLL	0.0750
9999990046	1/2" CLEAR PVC TAPE	ROLL	0.0150
9999990047	STRAPPING TAPE PVC 1/2"	MT	2.0000
9999990048	STRAPPING CLIP PVC 1/2"	PC	2.0000
9999990049	TIEWIRE FOR CORD	ROLL	0.0020
9999990050	TIE WRAP SLEEVE (1 ROLL=12xBLUNCH)	ROLL	0.0100
9999990051	PRESS PAN SHEET 5 MIL	KG	0.0050
9999990052	YELLOW/BLUE POLY TAPE 1"	MT	0.5000



SCHMATIC CIRCUIT DIAGRAM OF MODEL DIGI 35 (CPU)



AM OF MODEL DIGI 35 (CPU)

NOS	DESCRIPTION	APPD	CHK
AMEND			
SONODYNE INTL LIMITED, MUMBAI			DATE: 22/0
MODEL: DIGI 35 (CPU)			
DRG NO	DRN BY	CHD BY	APPD BY
SIL/16/0076			

DIGI - 35 (CPU)

CIRCUIT DIAGRAM

